



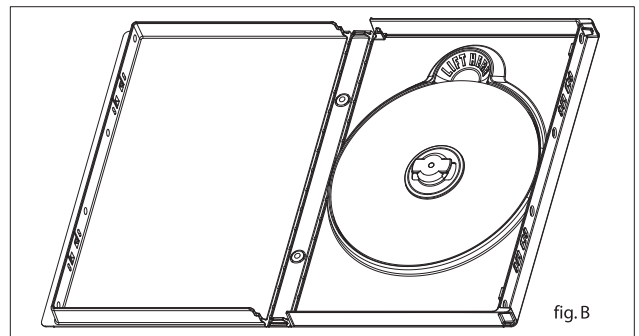
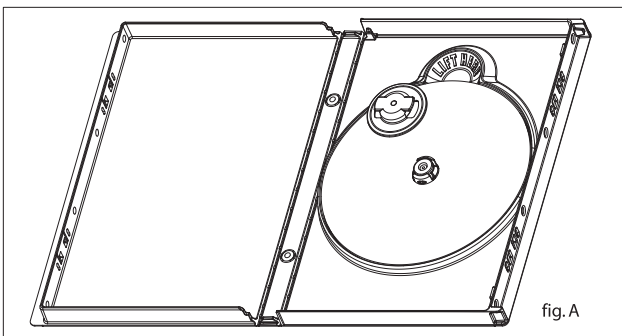
Benefit Denial (BD) Locking System

Operating Instructions for Securecase DVD or Amaray II with the Benefit Denial Locking System

NEXPAK's Benefit Denial Locking System offers superior protection as a display case with the proven durability of the SecureCase and Amaray II for the most demanding rental environments. The information below provides instructions for use of the Benefit Denial Locking System.

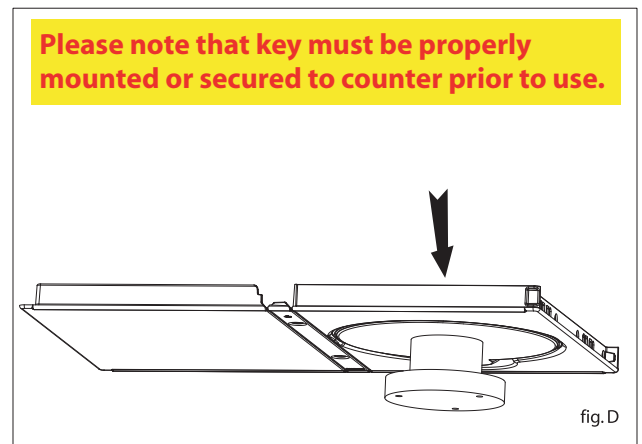
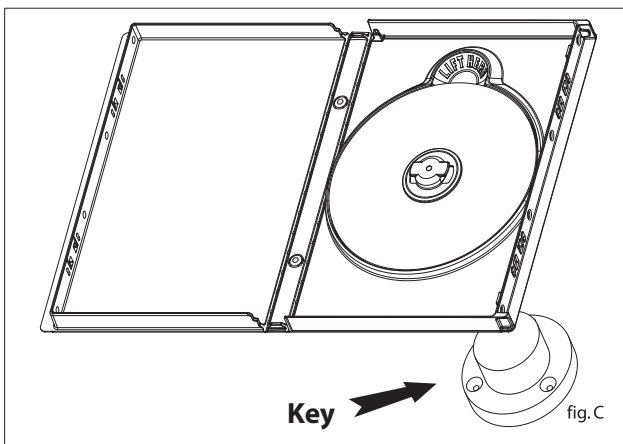
To Lock Case:

1. With the case open, place the disc on the Benefit Denial Hub until it snaps down into position. The unique Hub design also allows for a second disc to be stacked on top of the first disc. To apply locking Benefit Denial Cap, position the Cap (pin side down) directly over the center of the Hub (fig A).
2. When in proper position, press the Cap into place with the pin going into the small hole in the center of the Hub (fig B). The Cap is now locked onto the Hub and the case is ready for use.



To Unlock Case:

1. With the case open, position the back of the case so that the Hub is directly over the Benefit Denial Key (fig C). Lower the case so that it is directly on top of the Key and the Cap will disengage and can easily be lifted off the Hub (fig D). With the Cap removed, the disc(s) is(are) now unlocked from the Hub and ready for use.



Please note that key must be properly mounted or secured to counter prior to use.

WARNING: Avoid direct contact with detachment key and credit cards, magnetic tape, electronics and health-related equipment such as pacemakers.